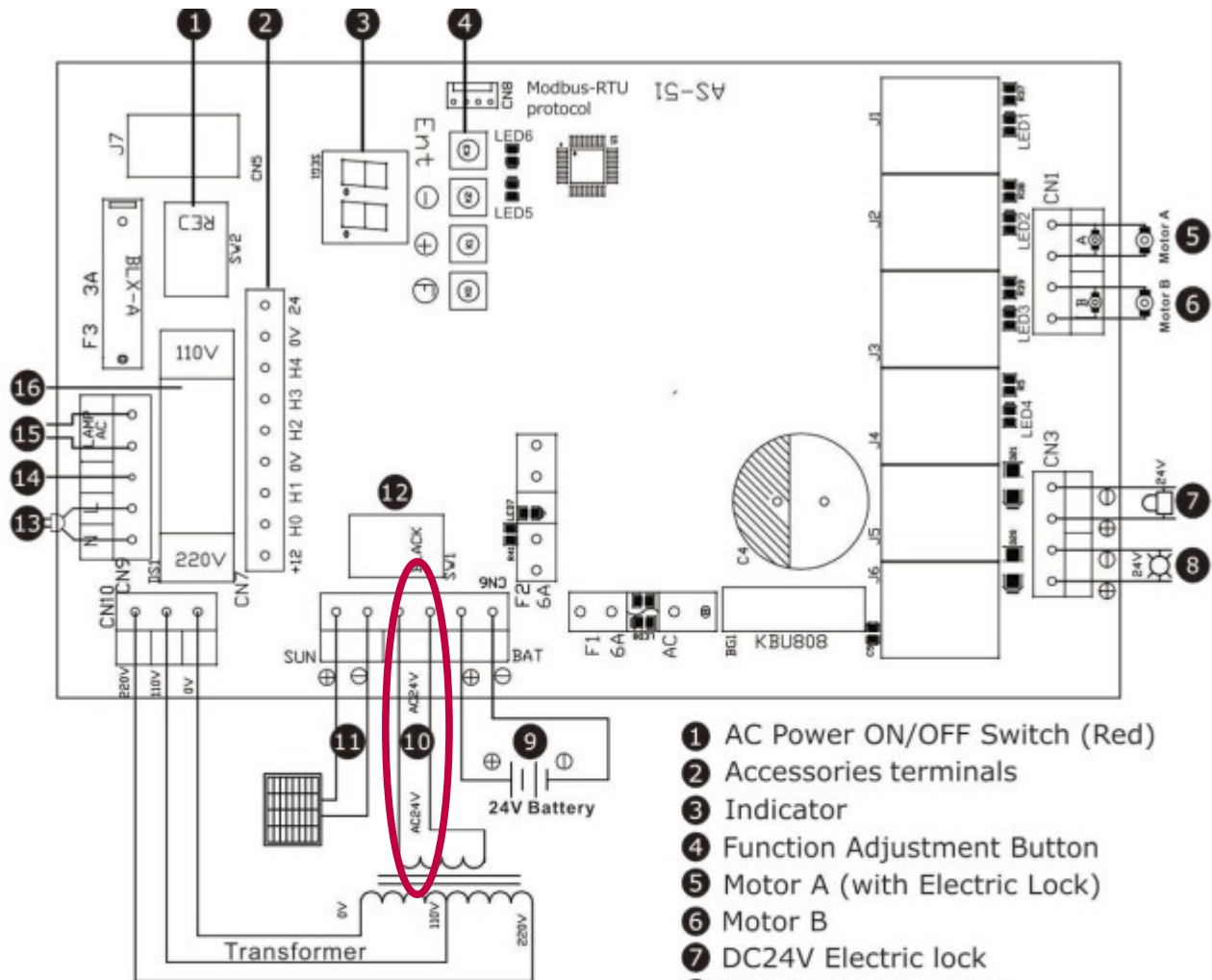


SOLAR POWERED ELECTRIC GATE OPENERS

Transformer Wiring

Connect the 2 wires coming from the transformer to the AC24 Slots (Terminal slot 10) circled below between the battery terminal and solar panel terminal. The AC24 is not polarity sensitive.



LED Diagram

Power On, LED5 will blink.

LED1 Motor A open LED
 LED2 Motor A close LED
 LED3 Motor B open LED
 LED4 Motor B close LED
 LED5 Power LED
 LED6 Received signal for remote control LED

- 1 AC Power ON/OFF Switch (Red)
- 2 Accessories terminals
- 3 Indicator
- 4 Function Adjustment Button
- 5 Motor A (with Electric Lock)
- 6 Motor B
- 7 DC24V Electric lock
- 8 DC24V Flashing Light
- 9 Backup Battery (12V 9ah x 2 in series)
- 10 AC24V terminal for transformer
Only accept AC24V to 26V voltage
- 11 Solar Panel
- 12 Power ON/OFF Switch (Black)
(AC power and battery)
- 13 Power Supply (AC220V / 110V)
- 14 Earth wire connection
- 15 AC Flashing Light
(not used in 24V system)
- 16 Selector Switch for AC220V or 110V